

ENGINE

Model	Case Family IV 445TA/E3 diesel, Tier III certified	
Type	4-stroke, turbocharged	
Cylinders	4	
Bore/Stroke	4.09 in x 5.19 in (104 x 132 mm)	
Displacement	274 in ³ (4.5 L)	
Fuel injection	Direct high pressure common rail (HPCR)	
Fuel	Diesel	
Primary fuel filter	5 micron	
Secondary fuel filter	30 micron w/water trap and indicating lamp	
Air intake	Cross-flow	
Cooling	Liquid	
Engine speeds* (rpm)		
Rated speed, full load	2200	
Low idle	900 - 1000	
High idle, no load	2330 - 2430	
Horsepower		
Gross	97 (72 kW) @ 2200 rpm	
Net	91 (68 kW) @ 2200 rpm	
Maximum torque @ 1400 rpm		
Gross	334 lb-ft (453 N-m)	
Net	329 lb-ft (446 N-m)	
Torque rise at rated speed	45%	

NOTE: *Engine speeds with standard transmission.
Meets federal emission regulations.

ENGINE COOLING

Radiator		
Core type	Square wave	
Core size area	487 in ² (.315 m ²)	
Charge air cooler		
Rows of tubes	5	
Fan		
Style	7 blade suction	
Diameter	19.6 in (500 mm)	
Ratio	1.1:1	
Water pump		
Style	Integral	
Engine oil Pump	Deep sump plate cooler with pressurized under-piston nozzles	
Pump operating angle ratings		
Side-to-side	Rated 35°	
Fore and aft	Rated 35°	
Oil filtration	Replaceable, full-flow cartridge	

TIRES

Front	2WD - 11L x 16.1, 10-ply rating	
	4WD - 12 x 16.5, 8-ply rating	
Rear	2/4WD - 17.5L x 24, 10-ply rating	
	2/4WD - 19.5L x 24, 10-ply rating	

POWERTRAIN

Transmission	4-speed synchromesh with hydraulically actuated clutches and electric F/R shuttle control, clutch disconnect buttons on the transmission shifter and loader control lever	
Gear ratios	Forward	Reverse
1st	5.603	4.643
2nd	3.481	2.884
3rd	1.584	1.313
4th	0.793	0.657
Torque converter		
Ratio	2.64	
Differential lock	On-the-go push-button activation	
Front axle		
Differential ratio	2.0	
Planetary hub ratio	6.0	
Total reduction ratio	12.0	
Rear axle		
Differential ratio	2.5	
Planetary hub ratio	6.4	
Total reduction ratio	16.0	

Service brakes

Individually applied, power assisted, hydraulically actuated, maintenance-free, self-adjusting, outboard mounted, wet disc, 2 per side

Disc area	384 in ² (.25 m ²)
-----------	---

Parking brakes

Spring applied hydraulic release (SAHR)

Travel speeds - mph (km/h)

	1st	2nd	3rd	4th
Forward	3.8 (6.1)	6.8 (10.9)	13.1 (21.1)	26.1 (42.0)
Reverse	4.6 (7.4)	8.2 (13.2)	15.8 (25.4)	31.5 (50.7)

NOTE: Travel speeds at 2283 engine rpm with 19.5 x 24 tires.

ELECTRICAL

Voltage	12 volts, negative ground	
Alternator	90 amp	
Battery	850 cold-cranking amps	
Optional batteries	(2) 850 cold-cranking amps	
Power plugs	(2) 30 amps ea.	

HYDRAULICS

Pump	Gear-type, transmission driven
Main relief pressure	3050 + 50 - 50 psi @ 38.0 gpm (210 + 3 - 3 bar @ 144 L/min)
Filtration	7-micron, full flow replaceable cartridge on return line, condition indicator light for filter
Oil cooler	Heavy-duty
Loader flow @ rated engine rpm	28.5 gpm @ 3050 psi (108 L/min @ 210 bar)
Loader control valve	Monoblock single lever control for lift, tilt and auxiliary hydraulics, positive hold float and return-to-dig
Loader auxiliary hydraulics proportional thumb switch w/detent on loader control handle.	Loader auxiliary hydraulics with full available flow. 0 - 28.5 gpm (0 - 108 L/min)
Backhoe flow @ rated engine rpm	38 gpm @ 3050 psi (144 L/min @ 210 bar)

Manual Backhoe Controls

Backhoe Control Valve	Monoblock open-center, parallel circuits. Boom and dipper, with pilot operated checks
-----------------------	--

Pilot Backhoe Controls

Pressure compensated backhoe hydraulics for simultaneous multifunction operation. 6, 7 or 8 spool sectional closed center with open center inlet and circuits in parallel.

Backhoe Control Valve

Sectional closed-center with inlet compensator and circuits in parallel

Backhoe auxiliary hydraulics

Uni-directional flow, adjustable variable flow from 0 to 36 gpm (136 L/min)

Control operation

Manual	Foot switch activated
Pilot	Button on left joystick

Bi-Directional flow, variable flow from 0 to 38 gpm (144 L/min) @ rated engine rpm

Control operation

Manual	Hand lever
Pilot	Buttons on left joystick

OPERATOR ENVIRONMENT

ROPS/FOPS canopy
Key start
Hydrostatic steering
Vinyl mechanical suspension seat w/180° swivel
Seat turn around idle
Electronic hand and foot throttles
Ergonomic loader control lever w/push-button activation of differential lock and transmission de-clutch
Backhoe foot-swing w/3 lever control
(2) Accessory power plugs (30 amp)
Anti-vandalism covers (canopy only)
Cup holder
Coat hook w/tether strap (cab only)
Interior rearview mirror
2 in (51 mm) retractable seat belt
Storage compartment w/lid
Left side storage tray

INSTRUMENTATION

Vehicle Control Module w/menu driven options and onboard diagnostics
Cruise control
Foot throttle sensitivity
Cold weather idle settings
Maintenance settings
Gauges
Engine water temperature
Converter oil temperature
Fuel
Tachometer/hourmeter
Voltmeter
Warning lights
Air cleaner restriction
Alternator
A/C high pressure
Cold start
Engine oil pressure
Hydraulic oil filter bypass
Parking brake
Low fuel
Audible alarms w/diagnostics
Coolant temperature
Engine oil pressure
Parking brake engagement
Shuttle engagement/seat position
Backup alarm
Horn - dual switched front & rear

TURNING DIAMETER

2WD		
Brakes on	21 ft 3 in (6.48 m)	
Brakes off	24 ft 8 in (7.52 m)	
4WD – engaged		
Brakes on	22 ft 1 in (6.72 m)	
Brakes off	28 ft 3 in (8.62 m)	
4WD – disengaged		
Brakes on	22 ft 0 in (6.70 m)	
Brakes off	25 ft 3 in (7.70 m)	

NOTE: Turning diameter dimensions curb to curb w/general purpose bucket.

OPERATING WEIGHTS

Lightest Configuration

Unit equipped with 2WD, ROPS canopy, non-suspension seat, 82 in (2.08 m) general purpose loader bucket, 24 in (610 mm) Universal backhoe bucket, standard dipper, 17.5L x 24 rear tires, 11L x 16.1 front tires, single battery, standard cast stabilizer pads, no operator 14,285 lb (6480 kg)

Heavy Configuration

Unit equipped with 4WD, ROPS cab, suspension seat, 82 in (2.08 m) 4 IN 1® loader bucket, 24 in (610 mm) Universal backhoe bucket, Extendahoe® dipperstick, 19.5L x 24 rear tires, dual batteries, flip stabilizer pads, no operator 17,545 lb (7958 kg)

Add-on weights

Cab (over canopy)	+454 lb (206 kg)
Counterweights	+440 lb (200 kg) +900 lb (408 kg)
Extendahoe®	+496 lb (225kg)
4WD w/driveshaft guard	+283 lb (128 kg)

SERVICE CAPACITIES

Fuel tank	31.4 gal (119 L)
Optional tank	40.0 gal (151 L)
Hydraulic system	
Total	29.5 gal (111.5 L)
Total w/Extendahoe®	31.0 gal (117.2 L)
Reservoir w/filter	12.5 gal (47.1 L)
Reservoir w/o filter	12.0 gal (45.2 L)
Transmission	
2WD Total system	18.0 qt (17.0 L)
4WD Total system	20.5 qt (19.4 L)
4WD Front axle	
Differential	5.8 qt (5.5 L)
Planetaries (each)	0.8 qt (0.71 L)
Rear axle	
Differential and Planetaries	14.4 qt (13.6 L)
Engine oil w/filter	14.4 qt (13.6 L)
Cooling system	
w/heater	19.0 qt (18.0 L)
w/o heater	18.3 qt (17.3 L)
Window washer reservoir	3.5 qt (3.3 L)

LOADER

Single-lever control for lift and tilt
Positive hold float
Return-to-dig
Automatic self-leveling
In-line, reverse linkage
Dual parallel dump cylinders
Clutch disconnect button on loader control and shift levers
Bucket position indicator

Loader Bucket Sizes

Width	Weight	Struck	Heaped
General Purpose Bucket			
82 in (2.08 m)	686 lb* (311 kg)	0.87 yd³ (0.67 m³)	1.03 yd³ (0.79 m³)
93 in (2.36 m)	933 lb* (423 kg)	1.07 yd³ (0.82 m³)	1.25 yd³ (0.96 m³)
4 IN 1® Bucket			
82 in (2.08 m)	1462 lb (663 kg)	0.85 yd³ (0.65 m³)	1.04 yd³ (0.80 m³)

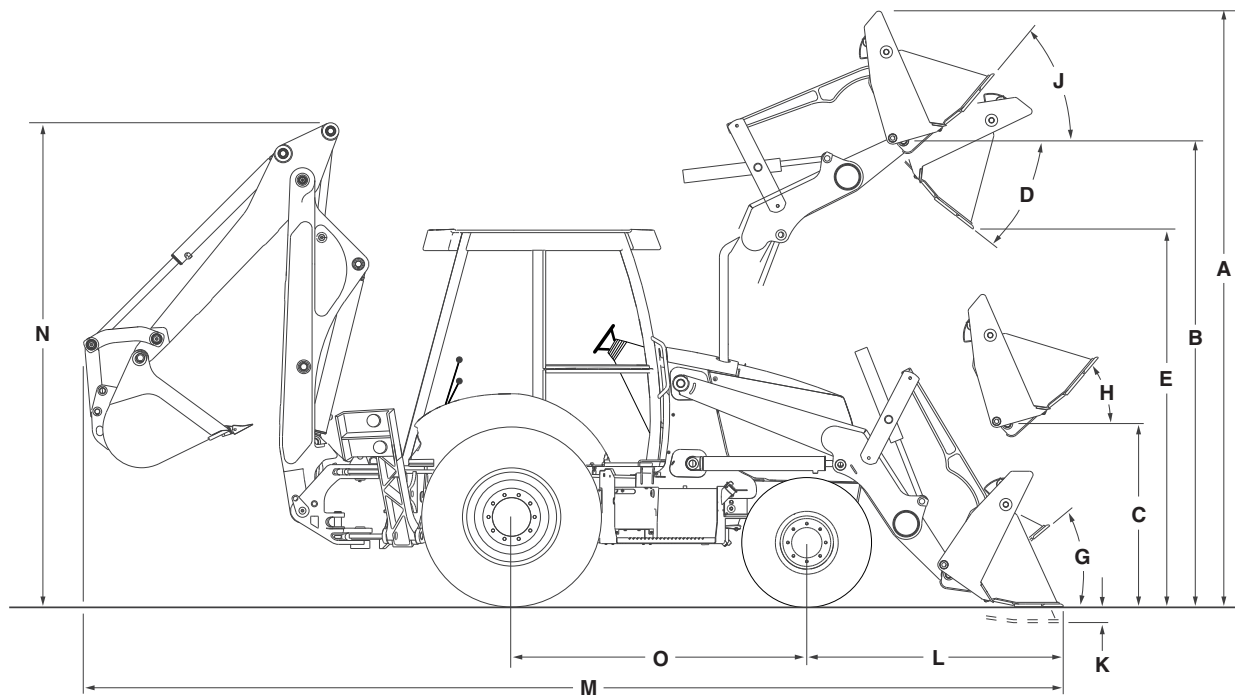
NOTE: *Add 103 lb (47 kg) for bolt-on cutting edge.

BACKHOE

Over-center design
Cast, ductile iron boom, and swing tower
Open-center hydraulics - Pro Control System
17, 940 lb-ft (24 370 N-m) swing torque
Case attachment coupler
Foot-swing w/3 lever control
Wing stabilizers w/cleated dirt pad

Backhoe Bucket Sizes

Width	Weight	Heaped
Universal Buckets		
12 in (305 mm)	290 lb (132 kg)	3.40 ft³ (0.10 m³)
16 in (406 mm)	346 lb (157 kg)	3.60 ft³ (0.10 m³)
18 in (457 mm)	350 lb (159 kg)	5.30 ft³ (0.15 m³)
24 in (610 mm)	413 lb (187 kg)	7.70 ft³ (0.22 m³)
30 in (762 mm)	475 lb (215 kg)	10.20 ft³ (0.29 m³)
36 in (914 mm)	535 lb (243 kg)	12.70 ft³ (0.36 m³)
High Capacity Buckets		
24 in (610 mm)	450 lb (204 kg)	8.50 ft³ (0.24 m³)
30 in (762 mm)	517 lb (235 kg)	10.60 ft³ (0.30 m³)



LOADER DIMENSIONS

	General Purpose Bucket*	4 IN 1® Bucket
A. Overall operating height – fully raised	13 ft 11 in (4.25 m)	14 ft 3 in (4.34 m)
Height to –		
B. Bucket hinge pin fully raised	11 ft 2 in (3.4 m)	11 ft 2 in (3.4 m)
C. Bucket hinge pin @ SAE carry	13.1 in (334 mm)	14.6 in (372 mm)
D. Dump angle @ full height	45°	45°
E. Dump clearance @ full height, 45° dump –		
Bucket	8 ft 10 in (2.69 m)	8 ft 11 in (2.72 m)
Clam open	NA	9 ft 8 in (2.95 m)
F. Dump reach @ full height, 45° dump –		
Bucket	30.0 in (763 mm)	27.8 in (707 mm)
Clam open	NA	14.3 in (362 mm)
Bucket rollback –		
G. @ groundline	40°	40°
H. @ SAE carry	45°	45°
J. @ full height	Adjustable	Adjustable
K. Digging depth below grade –		
Bucket flat	5.9 in (149 mm)	6.8 in (180 mm)
Clam open (dozing)	NA	4.4 in (111 mm)
L. Reach from front axle centerline – bucket on ground	77.6 in (1.97 m)	75.2 in (1.91 m)
Lift capacity to full height	6,182 lb (2804 kg)	5,514 lb (2501 kg)
Breakout force –		
Lift cylinders	9,164 lbf (40 760 N)	8,904 lbf (39 600 N)
Dump cylinders	9,480 lbf (42 170 N)	10,302 lbf (45 820 N)
Bucket cutting edge width	82 in (2.08 m)/93 in (2.36 m)	82 in (2.08 m)
Maximum grading angle	116°	116°
Maximum clam opening	NA	38.3 in (972 mm)
Moldboard height	NA	36.8 in (934 mm)
Raising time to full height	3.4 sec	3.4 sec
Bucket dumping time	1.5 sec	1.5 sec
Lowering time –		
Power down	2.4 sec	2.4 sec
Return-to-dig	3.2 sec	3.2 sec
Clam –		
Open time	NA	2.3 sec
Close time	NA	3.1 sec

NOTE: Loader dimensions taken with 4WD,
19.5L x 24 rear tires and 82 in (2.08 m) general purpose bucket *without bolt-on cutting edge.

DIMENSIONS

	Standard Backhoe	Extendahoe®	
		Retracted	Extended
M. Overall transport length –			
General purpose bucket	22 ft 10 in (6.95 m)	22 ft 10 in (6.95 m)	NA
4 IN 1® bucket	22 ft 8 in (6.92 m)	22 ft 8 in (6.92 m)	NA
Overall transport width	7 ft 2 in (2.18 m)	7 ft 2 in (2.18 m)	NA
Height –			
To top of canopy	8 ft 9 in (2.67 m)	8 ft 9 in (2.67 m)	8 ft 9 in (2.67 m)
To top of cab	8 ft 10 in (2.69 m)	8 ft 11 in (2.72 m)	8 ft 10 in (2.69 m)
To top of exhaust stack	8 ft 6 in (2.59 m)	8 ft 8 in (2.64 m)	8 ft 6 in (2.59 m)
N. Transport	10 ft 10 in (3.29 m)	11 ft 7 in (3.53 m)	NA
Ground clearance at backhoe frame	14.6 in (371 mm)	14.8 in (376 mm)	14.6 in (371 mm)
Angle of departure	20°	20°	20°
Front wheel tread –			
2WD	67.5 in (1.71 m)	67.5 in (1.71 m)	67.5 in (1.71 m)
4WD	67.7 in (1.72 m)	67.7 in (1.72 m)	67.7 in (1.72 m)
Width across tires			
17.5L x 24	81.7 in (2.074 m)	81.7 in (2.074 m)	81.7 in (2.074 m)
19.5L x 24	81.4 in (2.67 m)	81.4 in (2.67 m)	81.4 in (2.67 m)
O. Wheelbase –			
2WD	84 in (2.13 m)	84 in (2.13 m)	84 in (2.13 m)
4WD	84.5 in (2.15 m)	84.5 in (2.15 m)	84.5 in (2.15 m)

NOTE: Dimensions taken with 19.5L x 24 rear tires and 11L x 16 front tires except that data marked 4WD is taken with 12 x 16.5 front tires.

CYLINDERS

	Bore Diameter	Rod Diameter	Stroke
Loader			
Lift (2)	3.25 in (82.6 mm)	1.75 in (44.5 mm)	30.2 in (766 mm)
Bucket (2)	3.0 in (76 mm)	1.5 in (38.1 mm)	20.6 in (522 mm)
4 IN 1® clam (2)	3.0 in (76 mm)	1.75 in (44.5 mm)	9.1 in (231 mm)
Backhoe			
Boom	5.25 in (133.4 mm)	2.50 in (63.5 mm)	33.2 in (842 mm)
Dipperstick	5.0 in (127 mm)	2.5 in (63 mm)	22.9 in (583 mm)
Bucket	3.5 in (89 mm)	2.5 in (63 mm)	34.3 in (872 mm)
Extendahoe®	3.0 in (76 mm)	1.75 in (44.5 mm)	42.0 in (1.07 m)
Swing (2)	4.0 in (101.6 mm)	2.0 in (50.8 mm)	11.5 in (292 mm)
Stabilizer (2)	4.0 in (101.6 mm)	2.0 in (50.8 mm)	21.8 in (553 mm)
Steering			
2WD	2.75 in (69.9 mm)	1.5 in (38.1 mm)	6.7 in (170 mm)
4WD	2.48 in (63 mm)	1.5 in (38.1 mm)	9.53 in (242 mm)

Boom and Dipper Lift Capacities are rated per SAE J31 and are 87% of the maximum hydraulic lift force available with the specified options.

BACKHOE LIFT CAPACITIES

Boom Lift	Standard Backhoe		Extendahoe®			
	Distance from swing pivot (m)	Backhoe lift capacity – lb (kg)	Retracted		Extended	
			Distance from swing pivot (m)	Backhoe lift capacity – lb (kg)	Distance from swing pivot (m)	Backhoe lift capacity – lb (kg)
+16 ft (4.87 m)					12 ft 5 in (3.79)	1,350 (612)
+14 ft (4.27 m)	8 ft 7 in (2.62)	2,750 (1247)	9 ft 6 in (2.89)	2,350 (1066)	14 ft 7 in (4.45)	1,775 (805)
+12 ft (3.66 m)	11 ft 2 in (3.40)	3,050 (1383)	11 ft 10 in (3.61)	2,575 (1168)	16 ft 2 in (4.93)	1,850 (839)
+10 ft (3.05 m)	12 ft 9 in (3.89)	3,100 (1406)	13 ft 4 in (4.06)	2,700 (1225)	17 ft 2 in (5.23)	1,875 (850)
+8 ft (2.44 m)	13 ft 11 in (4.24)	3,050 (1383)	14 ft 5 in (4.40)	2,650 (1202)	18 ft 0 in (5.49)	1,875 (850)
+6 ft (1.83 m)	14 ft 7 in (4.45)	3,000 (1361)	15 ft 2 in (4.62)	2,600 (1179)	18 ft 7 in (5.67)	1,875 (850)
+4 ft (1.22 m)	15 ft 0 in (4.57)	2,900 (1315)	15 ft 6 in (4.72)	2,575 (1168)	18 ft 10 in (5.74)	1,875 (850)
+2 ft (0.61 m)	15 ft 1 in (4.60)	2,850 (1293)	15 ft 7 in (4.75)	2,525 (1145)	18 ft 11 in (5.77)	1,850 (839)
Ground Level	14 ft 11 in (4.55)	2,775 (1259)	15 ft 5 in (4.70)	2,425 (1100)	18 ft 10 in (5.74)	1,850 (839)
-2 ft (0.61 m)	14 ft 5 in (4.40)	2,675 (1213)	15 ft 0 in (4.57)	2,400 (1088)	18 ft 5 in (5.62)	1,800 (816)
-4 ft (1.22 m)	13 ft 7 in (4.14)	2,600 (1179)	14 ft 2 in (4.32)	2,300 (1043)	17 ft 9 in (5.41)	1,800 (816)
-6 ft (1.83 m)	12 ft 4 in (3.76)	2,600 (1179)	12 ft 10 in (3.91)	2,300 (1043)	16 ft 9 in (5.11)	1,800 (816)
-8 ft (2.44 m)	10 ft 5 in (3.18)	2,600 (1179)	11 ft 2 in (3.40)	2,300 (1043)	15 ft 7 in (4.75)	1,800 (816)
-10 ft (3.05 m)	7 ft 6 in (2.28)	2,825 (1281)	8 ft 7 in (2.62)	2,425 (1099)	13 ft 11 in (4.24)	1,850 (839)
-12 ft (3.66 m)					11 ft 7 in (3.53)	2,025 (918)
-14 ft (4.27 m)					7 ft 11 in (2.41)	2,450 (1111)
Dipper Lift						
+14 ft (4.27 m)					13 ft 4 in (4.06)	2,580 (1170)
+12 ft (3.66 m)	10 ft 1 in (3.08)	4,940 (2241)	10 ft 7 in (3.23)	4,360 (1978)	14 ft 3 in (4.35)	2,680 (1216)
+10 ft (3.05 m)	10 ft 7 in (3.23)	4,650 (2109)	11 ft 2 in (3.40)	4,190 (1901)	14 ft 6 in (4.42)	2,700 (1225)
+8 ft (2.44 m)	10 ft 6 in (3.20)	4,680 (2123)	10 ft 11 in (3.33)	4,160 (1887)	14 ft 5 in (4.40)	2,880 (1306)
+6 ft (1.83 m)	9 ft 7 in (2.92)	5,290 (2400)	10 ft 2 in (3.10)	4,680 (2123)	13 ft 11 in (4.24)	2,910 (1320)
+4 ft (1.22 m)	7 ft 5 in (2.25)	6,610 (2998)	8 ft 3 in (2.58)	5,590 (2536)	12 ft 11 in (3.94)	3,050 (1383)

BACKHOE OPERATIONAL DATA

	Standard Backhoe		Extendahoe®	
	Retracted	Extended	Retracted	Extended
Digging depth –				
Maximum	14 ft 5 in (4.39 m)	18 ft 3 in (5.56 m)	14 ft 10 in (4.52 m)	18 ft 3 in (5.56 m)
Maximum w/hi-capacity bucket	14 ft 10 in (4.52 m)	18 ft 8 in (5.69 m)	15 ft 3 in (4.65 m)	18 ft 8 in (5.69 m)
2 ft (610 mm) flat bottom	14 ft 3 in (4.34 m)	18 ft 2 in (5.54 m)	14 ft 8 in (4.47 m)	18 ft 2 in (5.54 m)
8 ft (2.44 m) flat bottom	13 ft 4 in (4.06 m)	17 ft 6 in (5.33 m)	13 ft 9 in (4.19 m)	17 ft 6 in (5.33 m)
Overall reach from –				
Rear axle centerline	21 ft 5 in (6.53 m)	25 ft 5 in (7.75 m)	22 ft 0 in (6.70 m)	25 ft 5 in (7.75 m)
Swing pivot	18 ft 1 in (5.51 m)	21 ft 10 in (6.65 m)	18 ft 5 in (5.61 m)	21 ft 10 in (6.65 m)
Loading height	11 ft 2 in (3.40 m)	13 ft 3 in (4.04 m)	11 ft 5 in (3.48 m)	13 ft 3 in (4.04 m)
Loading reach – dipper retracted	8 ft 9 in (2.67 m)	11 ft 6 in (3.50 m)	8 ft 8 in (2.64 m)	11 ft 6 in (3.50 m)
Swing arc	180°	180°	180°	180°
Bucket rotation –				
#1 position	164°	164°	164°	164°
#2 position	200°	190°	190°	190°
Stabilizer spread – operating	9 ft 5 in (2.87 m)	9 ft 5 in (2.87 m)	9 ft 5 in (2.87 m)	9 ft 5 in (2.87 m)
Digging force –				
Bucket cylinder	12,821 lbf (57 031 N)	12,821 lbf (57 031 N)	12,821 lbf (57 031 N)	12,821 lbf (57 031 N)
Dipper cylinder	8,224 lbf (36 582 N) w/bucket @ 50°	7,784 lbf (25 066 N) w/bucket @ 50°	7,784 lbf (25 066 N) w/bucket @ 50°	5,635 lbf (25 066 N) w/bucket @ 51°
Leveling angle				
maximum slope that backhoe will make vertical cut	12°	12°	12°	12°

NOTE: Lift capacities apply straight to the rear of prime mover. Equipped with 24 in (610 mm) Universal H.D. trenching bucket and Case coupler except as noted.

STANDARD EQUIPMENT

OPERATOR'S COMPARTMENT

See page 2

ENGINE

Case Family IV 445TA/E3 non-EGR turbocharged diesel
Tier III certified
Integral crank driven balancer
Automatic fan belt tensioner
Integral engine oil cooling
Primary 5 micron fuel filter
Secondary 30 micron fuel filter w/water trap
Dual element air cleaner with integral pre-cleaner
90 amp alternator
850 CCA 12-volt battery
Aspirated air cleaner

OPTIONAL EQUIPMENT

OPERATOR'S COMPARTMENT

Cab with –
Tilt wheel
Heater
Defroster
Dome light - door activated
Wipers, front and rear
Tinted glass
Floor mat
Side window partial hold open
Inside release for side windows
Radio ready kit w/antenna and speakers
Cab Convenience Package
Windshield washer w/adjustable nozzles (front & rear)
Vinyl-covered interior
Reduced sound level to 72 dB(A)
Sun visor
Vinyl (ROPS) or cloth-covered (CAB) mechanical suspension seat
Vinyl (ROPS) or cloth-covered (CAB) Air Ride suspension seat
3 in (76 mm) retractable seat belt
Cab air-conditioning, 100% filtered air, in-cab filter access, 8 adjustable roof vents, 2 floor vents, w/heater
Swing out condenser and fuel cooler

Swing out fuel cooler
Cruise control
Heavy-duty radiator w/deaeration bottle
Non-spark-arresting muffler

LOADER

See page 2

BACKHOE

See page 2

POWERTRAIN

2WD
4F/4R Power shuttle synchromesh transmission
Torque converter
Transmission de-clutch
Electro-hydraulic differential lock
Hydrostatic steering
Outboard wet disc brakes
Remote lube front axle pivot

Ride Control
Cab, right door (only w/AC)
Canopy Convenience Package
Front windshield w/wiper & washer
85 dB(A) sound
Floor mat
Sun visor

LOADER

Hydraulic attachment coupler
Attachment auxiliary hydraulics
3-spool valve hydraulics w/thumb controlled electro hydraulic switch w/detent
Buckets (see page 2)

BACKHOE

Case hydraulic coupler
Buckets (see page 2)
Extendahoe®
Two-lever control
Pilot Operated Control System
Fingertip Proportional
Electrohydraulic stabilizer controls.
Thumb operated Proportional
Electrohydraulic Extendahoe control
Thumb operated horn button
Thumb operated Auxiliary Hydraulic Control
Infinitely Adjustable Towers
In-Cab Switchable "Excavator to Backhoe" control pattern change
One touch idle

HYDRAULICS

2-spool loader control valve
6-spool backhoe control valve
Heavy-duty oil cooler

OTHER

Forward tilt engine hood
Replaceable, molded front bumpers
Front/rear tie downs
Reflective logos
Lights - Cab and Canopy
(2) Rear tail/stop
(2) Front flashers/turn
(2) Rear flashers/turn
4 Front & 4 rear adjustable halogen lights (55 w)

Stabilizer pads
Flip-over
Rubber pad
Front counterweights
440 lb (200 kg)
900 lb (408 kg)

ENGINE

Cold weather grid heater starting aid
Dual, 12-volt, 850 CCA batteries
Fuel tank, 40 gal (151 L)
Exhaust aspirated air cleaner
Spark arresting muffler

POWERTRAIN

4WD w/outboard planetary drive, on-the-go push-button activation and 12 x 16.5 front tires
4 x 3 Powershift transmission with Autoshift (4WD unit only)
Comfort steer

HYDRAULICS

Auxiliary backhoe uni-directional hydraulics
Auxiliary backhoe bi-directional hydraulics
Hand lever operated for manual controls
Button operated for pilot controls

OTHER

17.5L x 24 rear tires
19.5L x 24 rear tires
Tool box
Special paint

NOTE: All specifications are stated in accordance with SAE Standards or Recommended Practices, where applicable.

NOTE: All engines meet current EPA emissions requirements.

IMPORTANT: Case Construction Equipment Inc. reserves the right to change these specifications without notice and without incurring any obligation relating to such change. Case Construction Equipment Inc. does not warrant the safety or reliability of attachments from other manufacturers.

Case is a registered trademark of CNH America LLC. Any trademarks referred to herein, in association with goods and/or services of companies other than CNH America LLC, are the property of those respective companies.



www.casece.com

