



# 1835 Uni-Loader®



- Hydrostatic drive
- Choice of Case water-cooled engines — 32 net hp (23.9 kW) gasoline  
— 34 net hp (25.4 kW) diesel
- 54" (1372 mm) wide
- Low profile — 80.75" (2051 mm) to top of ROPS
- ROPS, parking brake, tool tach and hourmeter — standard

Unit shown is equipped with non-standard items.

**JI Case**

A Tenneco Company

700 State Street Racine, WI 53404 U.S.A.



# 1835 UNI-LOADER SPECIFICATIONS

## ENGINES

	Case 148G (Gasoline)	Case 188D (Diesel)
Maximum rated horsepower		
SAE net	32 @ 2100 rpm (23.9 kW @ 2100 r/min)	34 @ 2100 rpm (25.4 kW @ 2100 r/min)
Bore and stroke	3.375" x 4.125" (85.7 mm x 104.8 mm)	3.81" x 4.12" (96.8 mm x 104.6 mm)
Displacement	148 in <sup>3</sup> (2425 cm <sup>3</sup> )	188 in <sup>3</sup> (3081 cm <sup>3</sup> )
Number of cylinders	Four	Four
Cooling capacity	Water 4 U.S. gals (15 litres)	Water 4 U.S. gals (15 litres)
Type of fuel	Gasoline, leaded	No. 2 diesel
Fuel tank capacity	14.5 U.S. gals (55 litres)	14.5 U.S. gals (55 litres)
Engine crankcase oil capacity (including filter)	7 U.S. quarts (6.65 litres)	7 U.S. quarts (6.65 litres)
Air cleaner	Dry type, replaceable element	Dry type, replaceable element
Electrical system		
Battery	12V 55 amp hour	12V 95 amp hour
Alternator	12V 42 amp	12V 42 amp
Ignition	Coil and points	

SAE net flywheel horsepower or torque of engine as applied to this vehicle when equipped with operating accessories including oil and water pumps, alternator, air cleaner, fan and muffler. Corrected to 500' (152.4 m) altitude with .38" (10 mm) Hg vapor pressure 29.38" (746 mm) Hg observed barometer and 85°F (29°C) per SAE J-816a specifications.

## POWER TRAIN

Type	Hydrostatic with single stage chain drive to wheels
Transmission	Tandem pump assembly consisting of two variable displacement pumps, gear type charge pump, gear type system pump and two fixed displacement gerotor motors
Brakes (standard)	Mechanical linkage with positive parking brake pin lock

## HYDRAULIC SYSTEM

Main relief setting	2250 psi @ 2250 rpm 15 513 kPa @ 2250 r/min
Lift cylinders (two)	2.125" dia x 26.75" stroke, 1.25" rod (54 mm dia x 679 mm stroke, 32 mm rod)
Bucket cylinders (two)	2.5" dia x 15.85" stroke, 1.25" rod (64 mm dia x 403 mm stroke, 32 mm rod)
Pump capacity	11 gpm @ 2250 rpm @ 2250 psi (41.6 lit/min @ 2250 r/min @ 15 513 kPa)
Capacities — total system	8 U.S. gals (30 litres)



Filter	
Equipment	10 micron with replaceable element, 25 psi by-pass valve and warning indicator
Charge	10 micron with replaceable element, no by-pass valve, with warning light

## LOADER OPERATIONAL DATA

Tipping load — SAE rated	
gasoline engine	2349 lbs (1066 kg)
diesel engine	2410 lbs (1093 kg)
Payload capacity	1200 lbs (544 kg)
Raising time with rated load in the bucket	4.6 sec
Lowering time, bucket empty	2.6 sec
Rollback time from full dump to full rollback	2.5 sec
Breakout force	
lift cylinders, gasoline engine	2250 lbs (1021 kg)
lift cylinders, diesel engine	2330 lbs (1057 kg)
tilt cylinders	3100 lbs (1406 kg)
Travel speed	
forward and reverse	6.1 mph (9.8 km/h)

## WEIGHTS

### Shipping\*

Gasoline engine	3814 lbs (1736 kg)
Diesel engine	4000 lbs (1822 kg)

\*Includes 4 gals (15 litres) fuel, no operator, no bucket, with 7.00 x 15 tires, ROPS and standard equipment.

### Operating\*\*

Gasoline engine	4323 lbs (1961 kg)
Diesel engine	4526 lbs (2053 kg)

\*\*Includes full fuel, 175 lb (79 kg) operator, 54" (1372 mm) dirt bucket, 7.00 x 15 tires, ROPS and standard equipment.

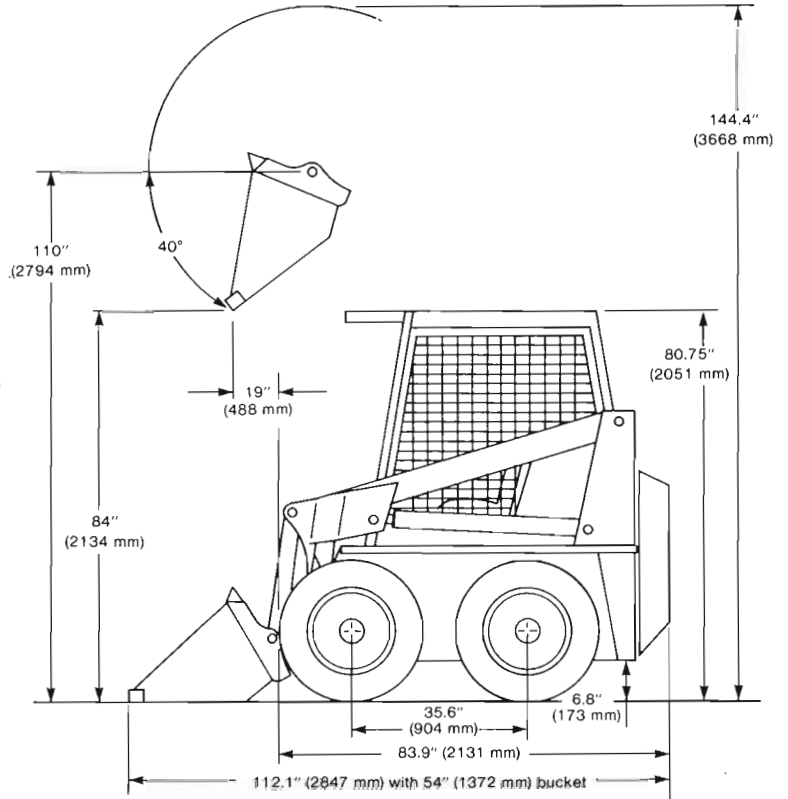
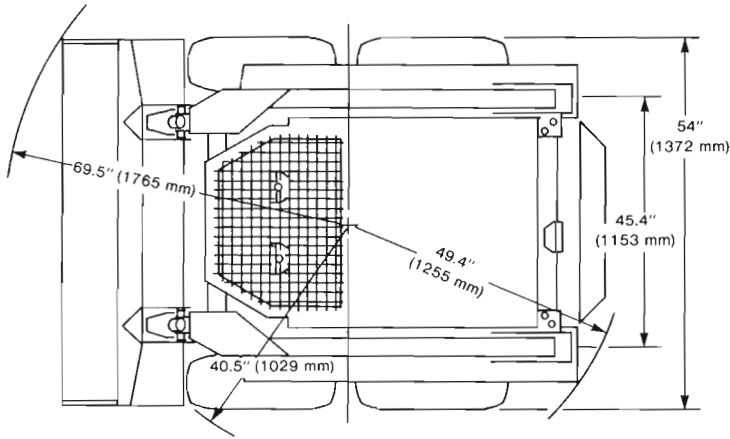
## STANDARD EQUIPMENT (on basic unit)

1200 lb (544 kg) loader lift capacity with two double-acting lift cylinders, less attachments, with controls and hydraulics. 32 hp (23.9 kW) Case water-cooled engine with fuel pump or 34 hp (25.4 kW) Case water-cooled diesel with fuel injection. Key switch with push button type starting and battery ignition. Hydrostatic transmission with chain drive to all wheels. Hydraulic oil filter with replaceable element and condition indicator. Hydrostatic charge filter with replaceable element and condition indicator light. Hydrostatic transmission temperature indicator light. Operator's compartment heat shield. Independent steering controls. 7.00 x 15 nylon chevron tires. Tool tach. 42 Amp alternator. 12 volt battery. Dry type air cleaner. Muffler. Fuel filter. Hand throttle. Hand choke. Mechanical parking brake. Adjustable seat. Seat belt. ROPS\*\*. Ammeter. Hourmeter. Charge pressure warning light. Low fuel warning light. Low engine oil pressure warning light.

\*\*Rollover Protective Structure (ROPS) performance standards measured in accordance with ANSI B56.1 — 1969, SAE J 1040B Par. 8.8, SAE J 1043. Conforms to OSHA Regulation 1926.1001.



# OPERATING DIMENSIONS



NOTE: Specifications taken with full fuel, 175 lbs (79 kg) operator, 54" (1372 mm) dirt bucket, 7.00 x 15, 6-PR tires, ROPS and standard equipment, unless otherwise specified.

Bucket Type	Width		Struck Capacities		SAE Heaped Capacities		Weight		Dump Height		Dump Reach		Dump Angle deg	Overall Length	
	in	mm	ft <sup>3</sup>	m <sup>3</sup>	ft <sup>3</sup>	m <sup>3</sup>	lbs	kg	in	mm	in	mm		in	mm
Dirt	54	1370	7.7	0.22	10.0	0.28	264	120	84	2134	19.2	488	40°	112.1	2847
Dirt	60	1520	8.6	0.24	11.2	0.32	281	127	84	2134	19.2	488	40°	112.1	2847
Utility	54	1370	12.3	0.35	15.1	0.43	335	152	82	2083	24.4	620	35°	116.7	2964
Utility	60	1520	13.7	0.39	16.9	0.48	356	161	82	2083	24.4	620	35°	116.7	2964
Light material	66	1680	15.1	0.43	18.8	0.53	377	171	82	2083	24.4	620	35°	116.7	2964

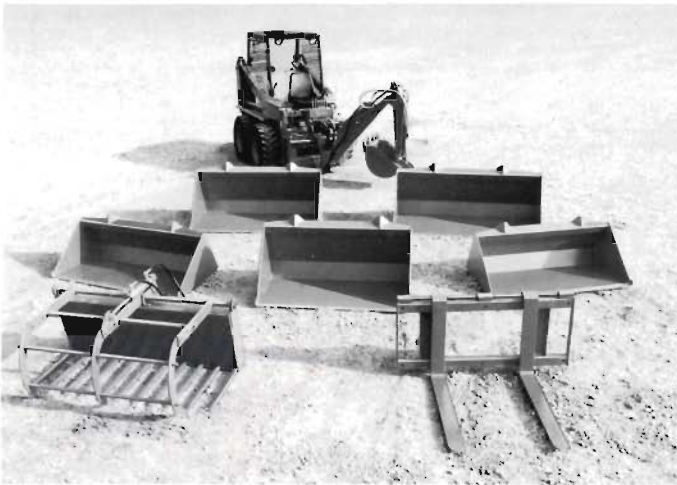
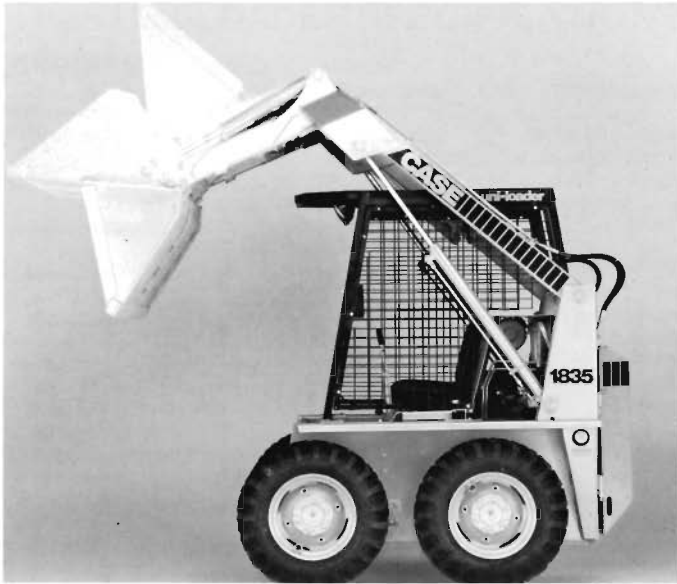
## MANURE FORK:

- Number of tines..... 11
- Width between each tine..... 4.2" (107 mm)
- Overall width of tines..... 54.3" (1379 mm)
- Overall width of attachment..... 54.8" (1392 mm)
- Length of tine..... 27" (686 mm)
- Hydraulic grapple available for manure fork.

## PALLET FORK:

- Maximum width of forks..... 40" (1016 mm)
- Minimum width of forks..... 12" (305 mm)
- Length of fork..... 36" (914 mm)
- Overall width of attachment..... 48.5" (1232 mm)
- Brick guard available for pallet fork.





**OPTIONAL EQUIPMENT (on basic machine)**

7.00 x 15 Steel Cap 6-PR tires. 10.00 x 16.5 Sure-Grip (flotation) 6-PR tires. 10.00 x 16.5 Duplex (flotation) 6-PR tires. Lights. Auxiliary hydraulics. Horn. Spark arresting muffler. Rear ROPS screen. Deluxe seat. Cold start aid (diesel only).

**OPTIONAL EQUIPMENT (attachments)**

54" (1372 mm) and 60" (1524 mm) dirt buckets. 54" (1372 mm) and 60" (1524 mm) utility buckets. 66" (1676 mm) light material bucket. Manure fork. Hydraulic grapple. Pallet fork. Brick guard. 8.5' (2591 mm) backhoe.

**NOTE:** All specifications are stated in accordance with ICED Definitions or SAE Standards or Recommended Practices, where applicable.

**IMPORTANT**

J I Case Company reserves the right to change these specifications without notice and without incurring any obligation relating to such changes.

**Sold and serviced by:**